

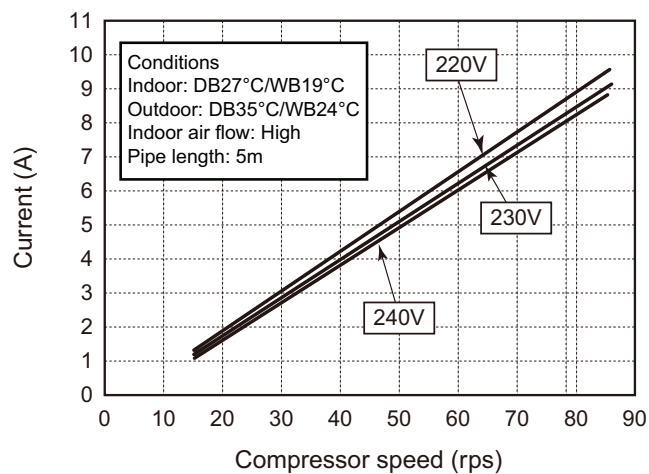
Model			1.GWH12QB-K3DNB4D 2.GWH12QB-K3DND6D 3.GWH12QB-K3DND8D 4.GWH12QB-K3DNE4D 5. GWH12QB-K3DNB8D 6.GWH12QB-K3DND2D	
Product Code			1.CB434004402 2.CB460002901 3.CB459001001 4.CB470001101 5.CB438003202 6.CB461003001	
Power Supply	Rated Voltage	V~	220-240	
	Rated Frequency	Hz	50	
	Phases		1	
Power Supply Mode			Outdoor	
Cooling Capacity(Min~Max)		W	3200	
Heating Capacity(Min~Max)		W	3400	
Cooling Power Input(Min~Max)		W	997	
Heating Power Input(Min~Max)		W	942	
Cooling Current Input		A	4.50	
Heating Current Input		A	4.4	
Rated Input		W	1500	
Rated Cooling Current		A	7.2	
Rated Heating Current		A	7.7	
Air Flow Volume(SH/H/M/L/SL)		m <sup>3</sup> /h	560/480/410/290/-	
Dehumidifying Volume		L/h	1.4	
EER		W/W	3.21	
COP		W/W	3.61	
SEER			6.1	
SCOP(Average)			4	
SCOP(Warmer)			5.1	
SCOP(Colder)			3.3	
Application Area		m <sup>2</sup>	15-22	
Indoor Unit	Indoor Unit Model		1.GWH12QB-K3DNB4D/I 2.GWH12QB-K3DND6D/I 3.GWH12QB-K3DND8D/I 4.GWH12QB-K3DNE4D/I 5. GWH12QB-K3DNB8D/I 6.GWH12QB-K3DND2D/I	
	Indoor Unit Product Code		1.CB434N04402 2.CB460N02900 3.CB459N01001 4.CB470N01100 5.CB438N03202 6.CB461N03000	
	Fan Type		Cross-flow	
	Fan Diameter Length(DXL)		mm	Φ98X580
	Cooling Speed(SH/H/M/L/SL)		r/min	1350/1200/1050/750/-
	Heating Speed(SH/H/M/L/SL)		r/min	1350/1200/1050/850/-
	Fan Motor Power Output		W	20
	Fan Motor RLA		A	0.215
	Fan Motor Capacitor		μF	1
	Evaporator Form			Aluminum Fin-copper Tube
	Evaporator Pipe Diameter		mm	Φ5
	Evaporator Row-fin Gap		mm	2-1.4
	Evaporator Coil Length(LXDXW)		mm	584X22.8X266.7
	Swing Motor Model			MP24AA
	Swing Motor Power Output		W	1.5
	Fuse Current		A	3.15
	Sound Pressure Level(SH/H/M/L/SL)		dB (A)	42/37/34/28/-
	Sound Power Level(SH/H/M/L/SL)		dB (A)	55/47/44/38/-
	Dimension(WXHXD)		mm	790X275X200
	Dimension of Carton Box(LXWXH)		mm	850X339X262
Dimension of Package(LXWXH)		mm	852X355X273	
Net Weight		kg	9	
Gross Weight		kg	11	

Outdoor Unit	Model of Outdoor Unit		GWH12QB-K3DNA6D/O	
	Product Code of Outdoor Unit		CB427W04701	
	Compressor Manufacturer/Trademark		Zhuhai Landa Compressor Co.; Ltd.	
	Compressor Model		QXA-B102zE190	
	Compressor Oil		RB68EP	
	Compressor Type		Rotary	
	L.R.A.	A		35.00
	Compressor RLA	A		4.80
	Compressor Power Input	W		1020
	Overload Protector			/
	Throttling Method			Capillary
	Operation temp	°C		16~30
	Ambient temp (cooling)	°C		-15~48
	Ambient temp (heating)	°C		-15~24
	Condenser Form			Aluminum Fin-copper Tube
	Pipe Diameter	mm		Φ7.94
	Rows-fin Gap	mm		1-1.4
	Coil Length (LXD <sub>X</sub> W)	mm		731X19.05X550
	Fan Motor Speed	rpm		900
	Output of Fan Motor	W		30
	Fan Motor RLA	A		0.4
	Fan Motor Capacitor	μF		/
	Air Flow Volume of Outdoor Unit	m <sup>3</sup> /h		2200
	Fan Type			Axial-flow
	Fan Diameter	mm		Φ438
	Defrosting Method			Automatic Defrosting
	Climate Type			T1
	Isolation			I
	Moisture Protection			IPX4
	Permissible Excessive Operating Pressure for the Discharge Side	MPa		4.3
	Permissible Excessive Operating Pressure for the Suction Side	MPa		2.5
	Sound Pressure Level (H/M/L)	dB (A)		52/-/-
	Sound Power Level (H/M/L)	dB (A)		62/-/-
	Dimension (WXHXD)	mm		848X596X320
Dimension of Carton Box (LXWXH)	mm		878X360X630	
Dimension of Package (LXWXH)	mm		881X363X645	
Net Weight	kg		29.5	
Gross Weight	kg		32.5	
Refrigerant			R410A	
Refrigerant Charge	kg		0.90	
Connection Pipe	Length	m	5	
	Gas Additional Charge	g/m	20	
	Outer Diameter Liquid Pipe	mm	Φ6	
	Outer Diameter Gas Pipe	mm	Φ9.52	
	Max Distance Height	m	10	
	Max Distance Length	m	20	
Note: The connection pipe applies metric diameter.				

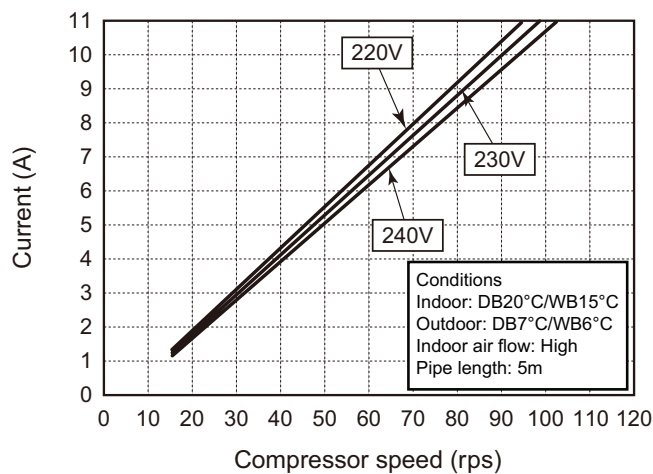
The above data is subject to change without notice; please refer to the nameplate of the unit.

## 2.2 Operation Characteristic Curve

Cooling



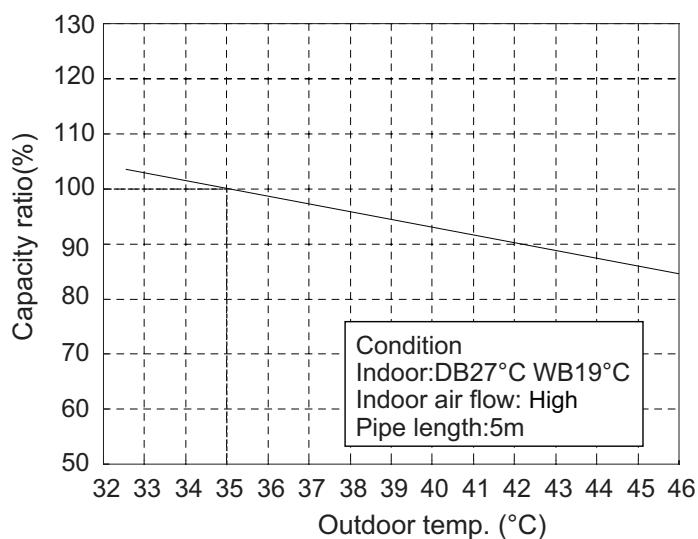
Heating



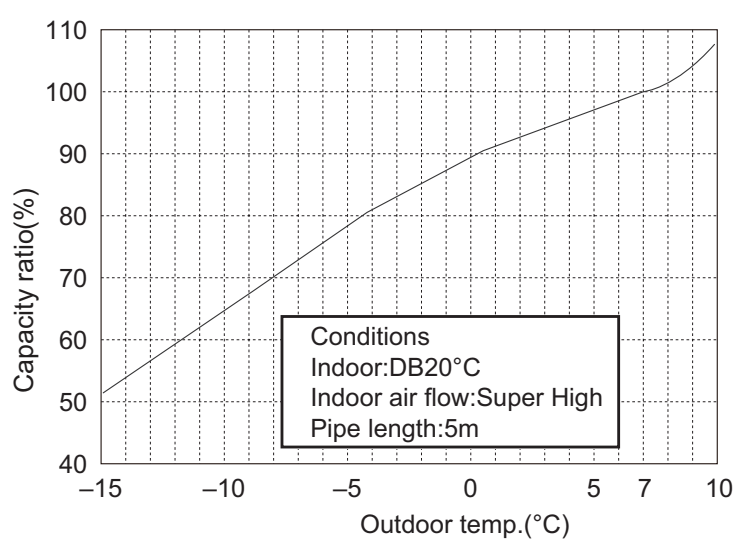
## 2.3 Capacity Variation Ratio According to Temperature

Heating operation ambient temperature range is -15°C~24°C

Cooling

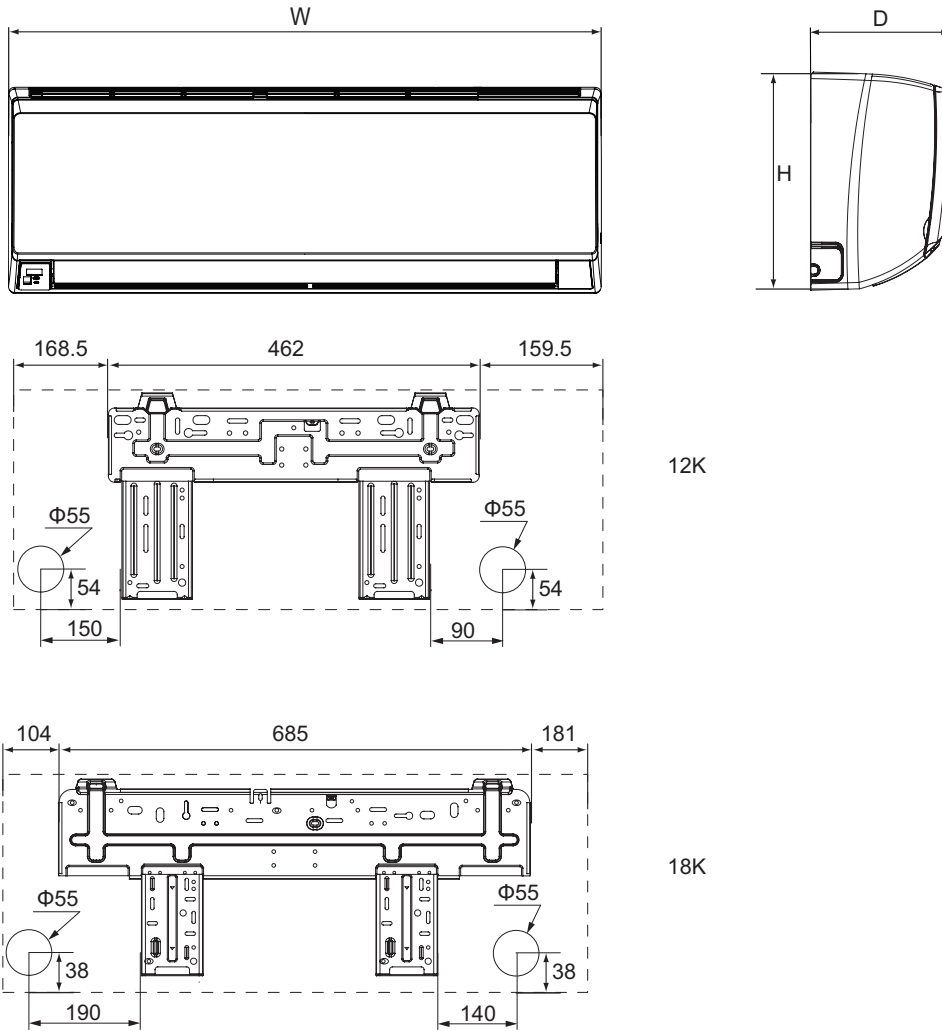


Heating



### 3. Outline Dimension Diagram

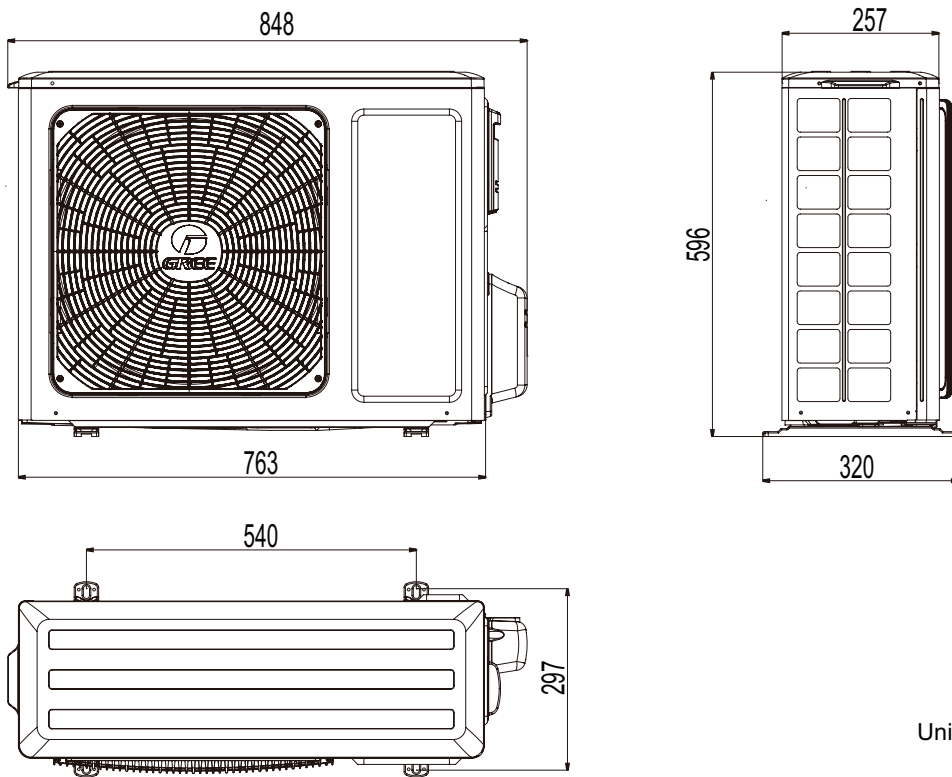
#### 3.1 Indoor Unit



Unit:mm

Models	W	H	D
12K	790	275	200
18K	970	300	224

### 3.2 Outdoor Unit



Unit:mm