

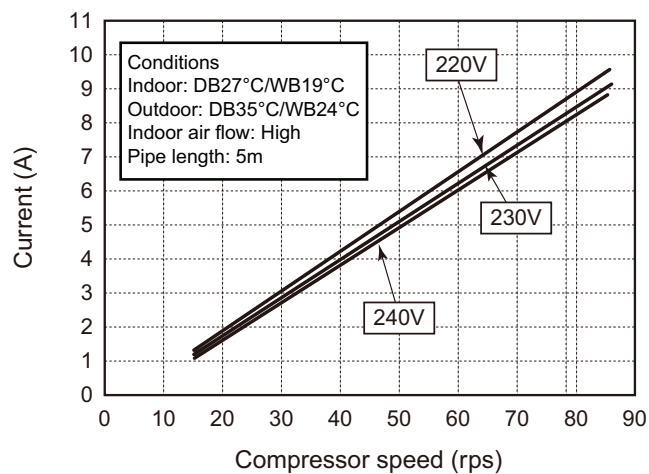
Model			1.GWH18QD-K3DNA6E 2.GWH18QD-K3DNA5E 3.GWH18QD-K3DNC4E 4.GWH18QD-K3DNE2E 5.GWH18QD-K3DNC4E 6.GWH18QD-K3DNC2E 7.GWH18QD-K3DNC8E 8.GWH18QD-K3DNB2E 9.GWH18QD-K3DNE4E 10.GWH18QD-K3DNB4E 11.GWH18QD-K3DND6E 12.GWH18QD-K3DNB6E 13.GWH18QD-K3DNB8E	
Product Code			1.(CB427006400/CB427006401)2.CB425007100 3.CB444002900 4.CB462000300 5.CB444002901 6.(CB439008501/CB439008500)7. CB456001300 8.CB432008600 9.CB470000800 10.CB434008200 11.CB460003800 12.CB435007101 13.CB438007200	
Power Supply	Rated Voltage	V~	220-240	
	Rated Frequency	Hz	50	
	Phases		1	
Power Supply Mode			Outdoor	
Cooling Capacity(Min~Max)		W	4600	
Heating Capacity(Min~Max)		W	5000	
Cooling Power Input(Min~Max)		W	1430	
Heating Power Input(Min~Max)		W	1380	
Cooling Current Input		A	6.34	
Heating Current Input		A	6.12	
Rated Input		W	1860	
Rated Cooling Current		A	8.25	
Rated Heating Current		A	7.45	
Air Flow Volume(SH/H/M/L/SL)		m <sup>3</sup> /h	850/720/610/520/-	
Dehumidifying Volume		L/h	1.8	
EER		W/W	3.22	
COP		W/W	3.62	
SEER			6.1	
SCOP(Average)			4	
SCOP(Warmer)			5.1	
SCOP(Colder)			3.3	
Application Area		m <sup>2</sup>	21-31	
Indoor Unit	Indoor Unit Model		1.GWH18QD-K3DNA6E/I 2.GWH18QD-K3DNA5E/I 3. GWH18QD-K3DNC4E/I 4.GWH18QD-K3DNE2E/I 5.GWH18QD-K3DNC4E/I 6.GWH18QD-K3DNC2E/I 7.GWH18QD-K3DNC8E/I 8.GWH18QD-K3DNB2E/I 9.GWH18QD-K3DNE4E/I 10.GWH18QD-K3DNB4E/I 11.GWH18QD-K3DND6E/I 12.GWH18QD-K3DNB6E/I 13.GWH18QD-K3DNB8E/I	
	Indoor Unit Product Code		1.(CB427N06400/CB427N06401) 2.CB425N07100 3.CB444N02900 4.CB462N00300 5.CB444N02901 6.(CB439N08501/CB439N08500) 7.CB456N01300 8.CB432N08600 9. CB470N00800 10.CB434N08200 11.CB460N03800 12.CB435N07101 13.CB438N07200	
	Fan Type			Cross-flow
	Fan Diameter Length(DXL)		mm	Φ106X706
	Cooling Speed(SH/H/M/L/SL)		r/min	1230/1130/1030/800/-
	Heating Speed(SH/H/M/L/SL)		r/min	1350/1200/1050/900/-
	Fan Motor Power Output		W	/
	Fan Motor RLA		A	0.35
	Fan Motor Capacitor		μF	2.5
	Evaporator Form			Aluminum Fin-copper Tube
	Evaporator Pipe Diameter		mm	Φ7
	Evaporator Row-fin Gap		mm	2-1.4
	Evaporator Coil Length(LXD <sub>XW</sub> )		mm	715X25.4X304.8
	Swing Motor Model			MP35CJ
	Swing Motor Power Output		W	2.5
	Fuse Current		A	3.15
	Sound Pressure Level(SH/H/M/L/SL)		dB (A)	45/41/37/33/-
	Sound Power Level(SH/H/M/L/SL)		dB (A)	58/53/50/45/-
	Dimension(WXHXD)		mm	970X300X224
	Dimension of Carton Box(LXWXH)		mm	1038X380X305
Dimension of Package(LXWXH)		mm	1041X383X320	
Net Weight		kg	13.5	
Gross Weight		kg	16.5	

Outdoor Unit	Model of Outdoor Unit		GWH18QD-K3DNA6E/O	
	Product Code of Outdoor Unit		CB427W06400	
	Compressor Manufacturer/Trademark		Zhuhai Landa Compressor Co.; Ltd.	
	Compressor Model		QXA-B102zE190A	
	Compressor Oil		FVC68D or RB68EP	
	Compressor Type		Rotary	
	L.R.A.	A		35.00
	Compressor RLA	A		4.80
	Compressor Power Input	W		1020
	Overload Protector			/
	Throttling Method			Capillary
	Operation temp	°C		16~30
	Ambient temp (cooling)	°C		-15~48
	Ambient temp (heating)	°C		-15~24
	Condenser Form			Aluminum Fin-copper Tube
	Pipe Diameter	mm		Φ7
	Rows-fin Gap	mm		1-1.4
	Coil Length (LXDXW)	mm		742X38.1X550
	Fan Motor Speed	rpm		900
	Output of Fan Motor	W		30
	Fan Motor RLA	A		0.4
	Fan Motor Capacitor	μF		/
	Air Flow Volume of Outdoor Unit	m <sup>3</sup> /h		2200
	Fan Type			Axial-flow
	Fan Diameter	mm		Φ438
	Defrosting Method			Automatic Defrosting
	Climate Type			T1
	Isolation			I
	Moisture Protection			IPX4
	Permissible Excessive Operating Pressure for the Discharge Side	MPa		4.3
	Permissible Excessive Operating Pressure for the Suction Side	MPa		2.5
	Sound Pressure Level (H/M/L)	dB (A)		54/-/-
	Sound Power Level (H/M/L)	dB (A)		63/-/-
Dimension (WXHXD)	mm		848X596X320	
Dimension of Carton Box (LXWXH)	mm		878X360X630	
Dimension of Package (LXWXH)	mm		881X363X645	
Net Weight	kg		33	
Gross Weight	kg		36	
Refrigerant			R410A	
Refrigerant Charge	kg		1.1	
Connection Pipe	Length	m	5	
	Gas Additional Charge	g/m	20	
	Outer Diameter Liquid Pipe	mm	Φ6	
	Outer Diameter Gas Pipe	mm	Φ9.52	
	Max Distance Height	m	10	
	Max Distance Length	m	20	
Note: The connection pipe applies metric diameter.				

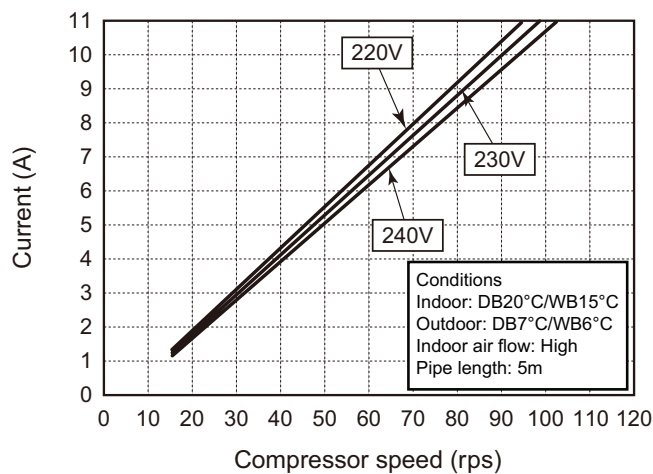
The above data is subject to change without notice; please refer to the nameplate of the unit.

## 2.2 Operation Characteristic Curve

Cooling



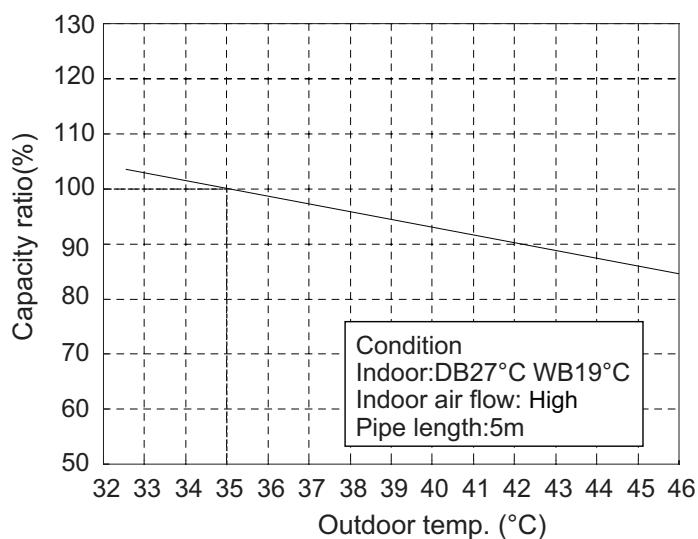
Heating



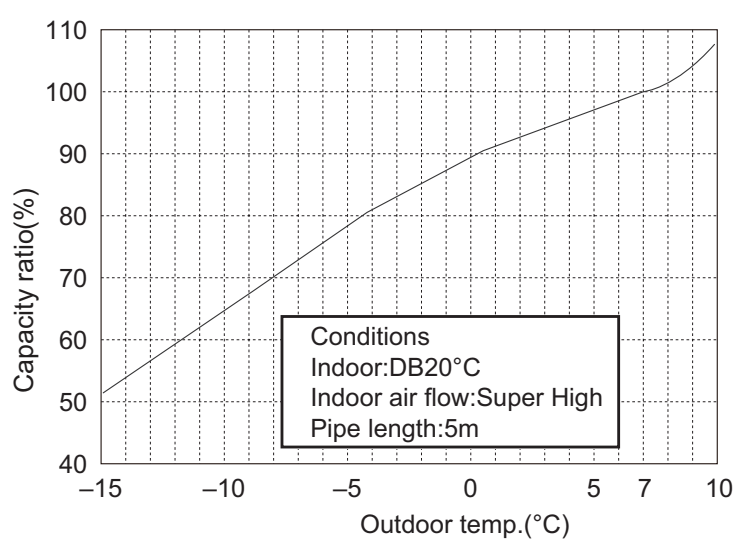
## 2.3 Capacity Variation Ratio According to Temperature

Heating operation ambient temperature range is -15°C~24°C

Cooling

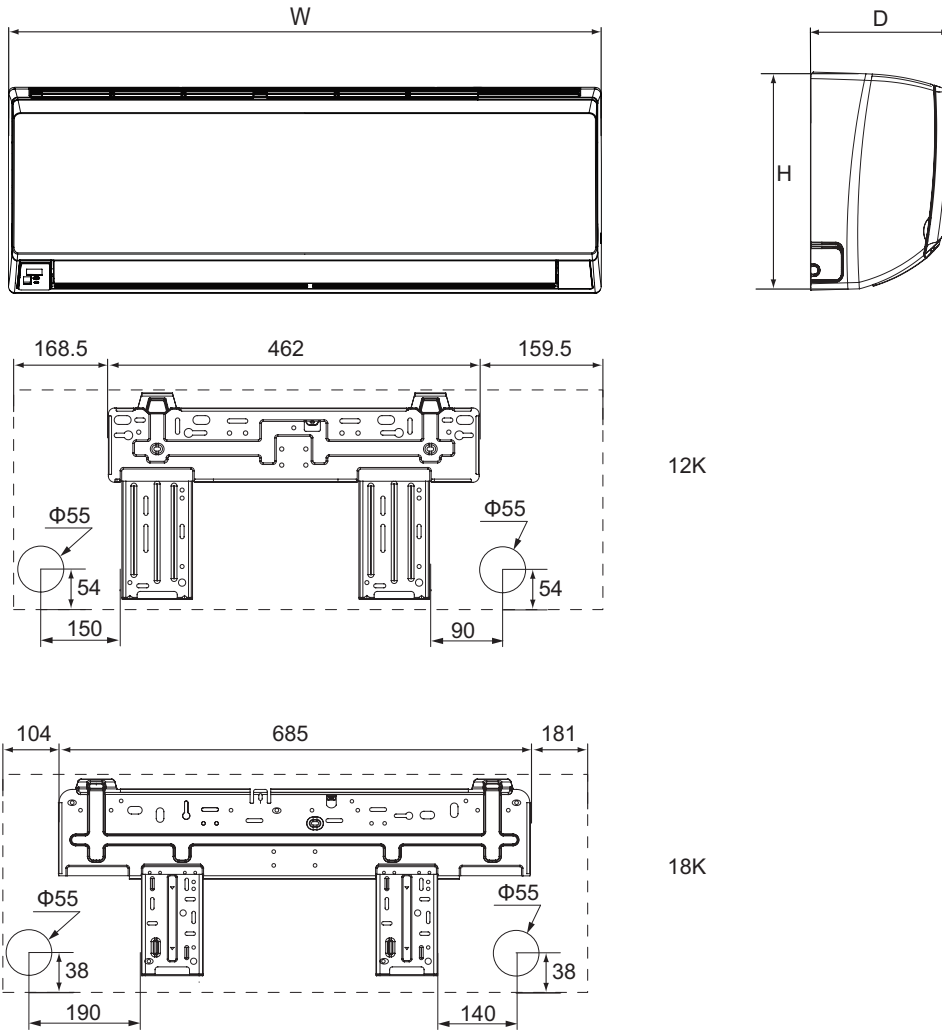


Heating



### 3. Outline Dimension Diagram

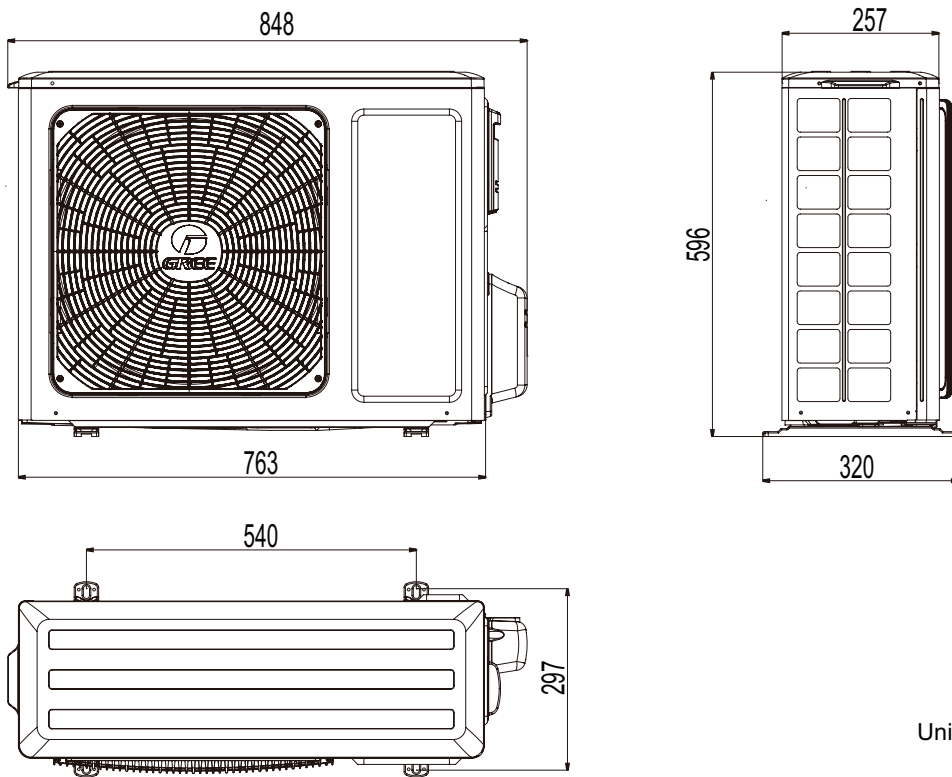
#### 3.1 Indoor Unit



Unit:mm

Models	W	H	D
12K	790	275	200
18K	970	300	224

### 3.2 Outdoor Unit



Unit:mm