

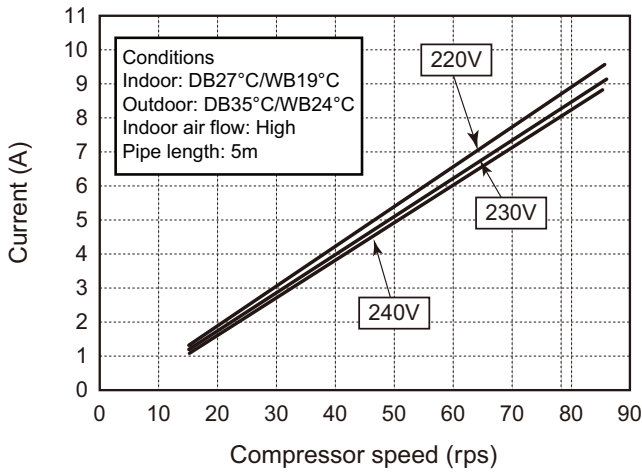
Model			1.GWH12AAB-K6DNA3A 2.GWH12AAB-K6DNA4A 3.GWH12AAB-K6DNA5A 4.GWH12AAB-K6DNA1A 5.GWH12AAB-K6DNA2A	
Product Code			1.CB478000100 2.CB479000500/CB479000501 3.CB488000900 4.CB476000302 5.CB477001600/CB477001601	
Power Supply	Rated Voltage	V~	220-240	
	Rated Frequency	Hz	50	
	Phases		1	
Power Supply Mode			Outdoor	
Cooling Capacity		W	3200	
Heating Capacity		W	3400	
Cooling Power Input		W	997	
Heating Power Input		W	941	
Cooling Power Current		A	4.5	
Heating Power Current		A	4.4	
Rated Input		W	1500	
Rated Current		A	7.2	
Air Flow Volume(SH/H/M/L/SL)		m <sup>3</sup> /h	550/480/410/290/-	
Dehumidifying Volume		L/h	1.4	
EER		W/W	3.21	
COP		W/W	3.61	
SEER		W/W	6.1	
HSPF		W/W	/	
Application Area		m <sup>2</sup>	16-24	
Indoor Unit	Indoor Unit Model		1.GWH12AAB-K6DNA3A/I 2.GWH12AAB-K6DNA4A/I 3.GWH12AAB-K6DNA5A/I 4.GWH12AAB-K6DNA1A/I 5.GWH12AAB-K6DNA2A/I	
	Indoor Unit Product Code		1.CB478N00100 2.CB479N00500/CB479N00501 3.CB488N00900 4.CB476N00302 5.CB477N01600/CB477N01601	
	Fan Type		Cross-flow	
	Diameter Length(DXL)		mm	Φ93X580
	Fan Motor Cooling Speed(SH/H/M/L/SL)		r/min	1350/1200/1100/850/-
	Fan Motor Heating Speed(SH/H/M/L/SL)		r/min	1350/1200/1100/900/-
	Output of Fan Motor		W	20
	Fan Motor RLA		A	0.22
	Fan Motor Capacitor		μF	1
	Input of Heater		W	/
	Evaporator Form			Aluminum Fin-copper Tube
	Pipe Diameter		mm	Φ5
	Row-fin Gap		mm	2-1.4
	Coil Length (LXD <sub>X</sub> W)		mm	584X22.8X266.7
	Swing Motor Model			MP24AN
	Output of Swing Motor		W	1.5
	Fuse		A	3.15
	Sound Pressure Level (SH/H/M/L/SL)		dB (A)	42/37/34/28/-
	Sound Power Level (SH/H/M/L/SL)		dB (A)	55/49/46/40/-
	Dimension (WXH <sub>X</sub> D)		mm	773X250X185
Dimension of Carton Box (LXWXH)		mm	817X306X244	
Dimension of Package (LXWXH)		mm	822X322X255	
Net Weight		kg	8.5	
Gross Weight		kg	9.5	

Outdoor Unit	Model of Outdoor Unit		GWH12AAB-K6DNA3A/O (LC)	
	Product Code of Outdoor Unit		CB478W00100	
	Compressor Manufacturer/Trademark		ZHUHAI LANDA COMPRESSOR CO., LTD	
	Compressor Model		QXF-B096zE190A	
	Compressor Oil		FW68DA	
	Compressor Type		Rotary	
	L.R.A.	A		20
	Compressor RLA	A		4.21
	Compressor Power Input	W		943
	Overload Protector			1NT11L-6233 HPC115/95U1 KSD115℃
	Throttling Method			Capillary
	Operation Temp	℃		16~30
	Ambient Temp (Cooling)	℃		-15~43
	Ambient Temp (Heating)	℃		-15~24
	Condenser Form			Aluminum Fin-copper Tube
	Pipe Diameter	mm		Φ7.94
	Rows-fin Gap	mm		1-1.4
	Coil Length (LXDXW)	mm		731X19.05X550
	Fan Motor Speed	rpm		900
	Output of Fan Motor	W		30
	Fan Motor RLA	A		0.36
	Fan Motor Capacitor	μF		/
	Air Flow Volume of Outdoor Unit	m <sup>3</sup> /h		2200
	Fan Type			Axial-flow
	Fan Diameter	mm		Φ438
	Defrosting Method			Automatic Defrosting
	Climate Type			T1
	Isolation			I
	Moisture Protection			IPX4
	Permissible Excessive Operating Pressure for the Discharge Side	MPa		4.3
	Permissible Excessive Operating Pressure for the Suction Side	MPa		2.5
	Sound Pressure Level (H/M/L)	dB (A)		52/-/-
Sound Power Level (H/M/L)	dB (A)		62/-/-	
Dimension (WXHXD)	mm		842X596X320	
Dimension of Carton Box (LXWXH)	mm		878X360X630	
Dimension of Package (LXWXH)	mm		881X363X645	
Net Weight	kg		31	
Gross Weight	kg		34	
Refrigerant			R32	
Refrigerant Charge	kg		0.65	
Connection Pipe	Length	m	5	
	Gas Additional Charge	g/m	20	
	Outer Diameter Liquid Pipe	mm	Φ6	
	Outer Diameter Gas Pipe	mm	Φ9.52	
	Max Distance Height	m	10	
	Max Distance Length	m	20	
	Note: The connection pipe applies metric diameter.			

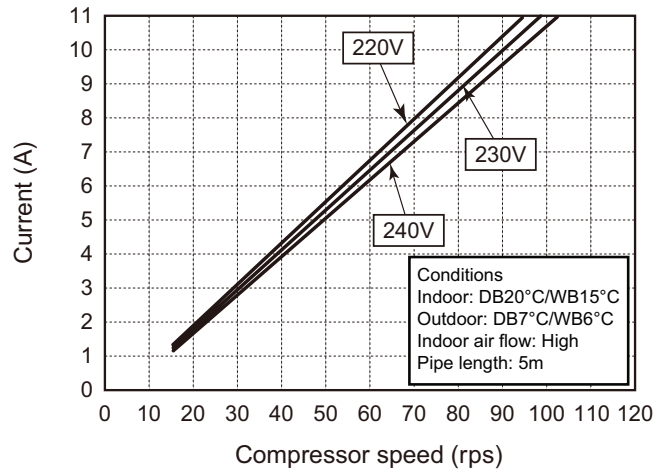
The above data is subject to change without notice; please refer to the nameplate of the unit.

## 2.2 Operation Characteristic Curve

Cooling



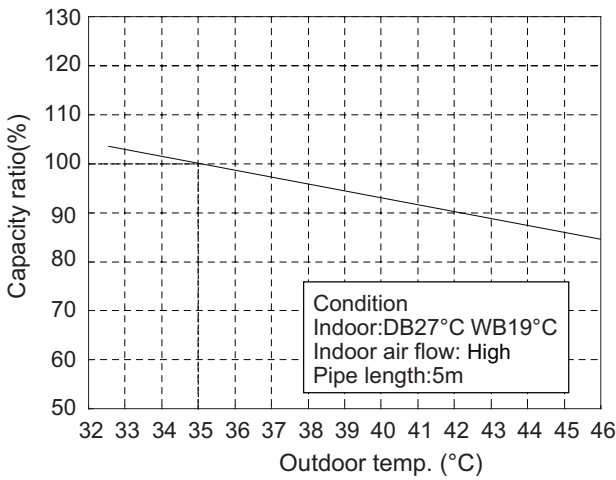
Heating



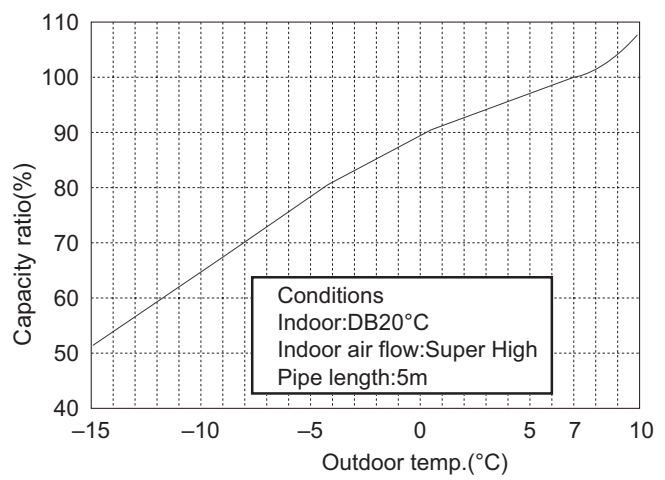
## 2.3 Capacity Variation Ratio According to Temperature

Heating operation ambient temperature range is -15°C~24°C

Cooling

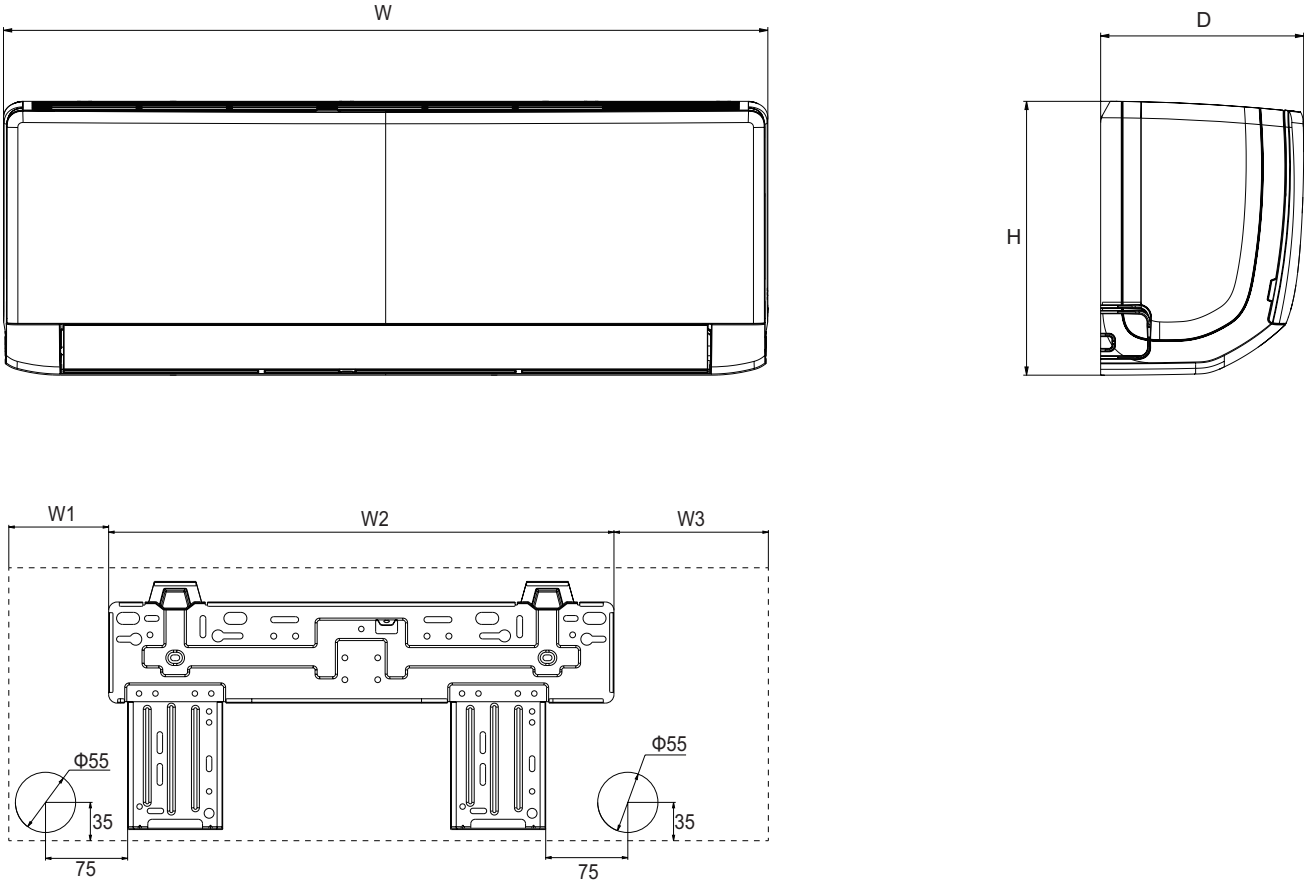


Heating



### 3. Outline Dimension Diagram

#### 3.1 Indoor Unit

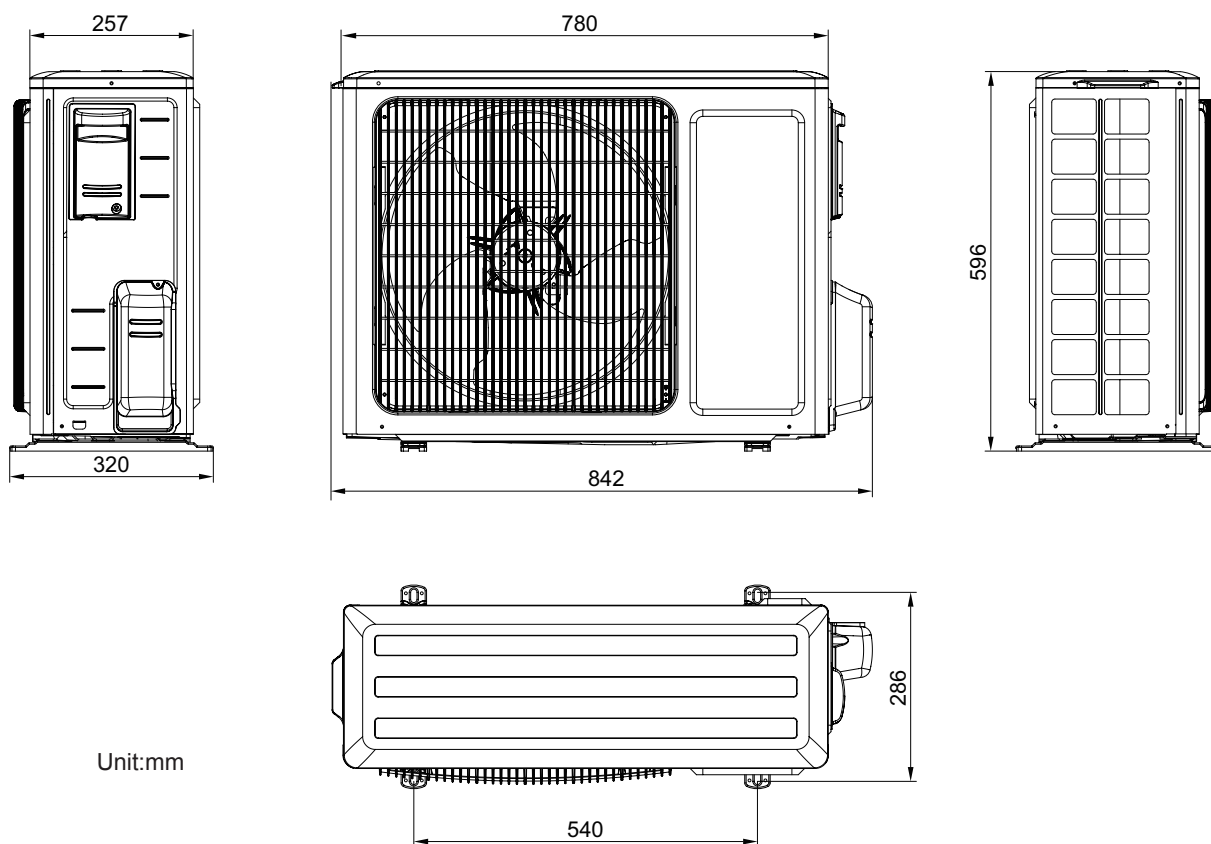


Unit:mm

Models	W	H	D	W1	W2	W3
09/12K	773	250	185	131	462	180

### 3.2 Outdoor Unit

12K



09K

